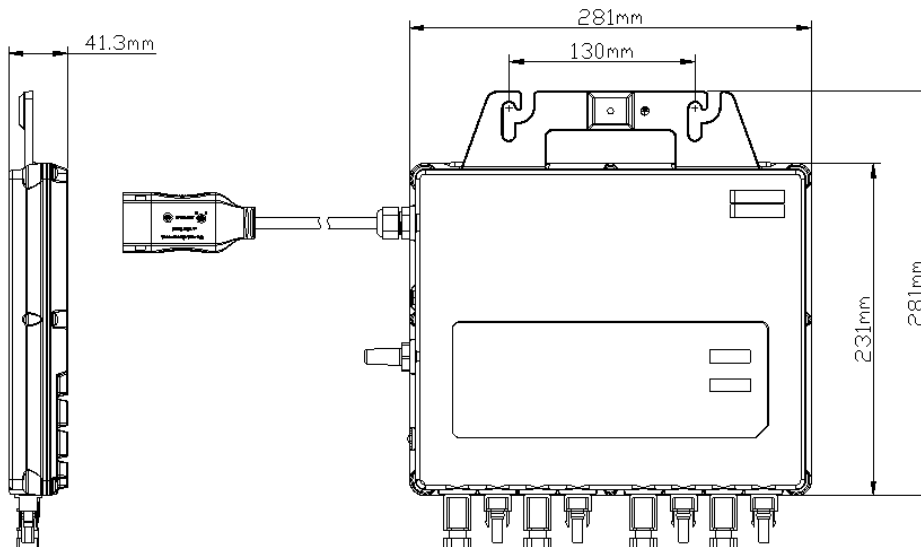




## QS1 Microinverter

- Single unit connects up to four solar modules
- 4 input channels with independent MPPT and monitoring function
- Maximum continuous output power up to 1200W AC
- Auto disconnection device integrated

### DIMENSIONS



The APsystems QS1 is a grid-tied microinverter with intelligent networking and advanced monitoring systems to ensure maximum efficiency. High efficiency, high reliability of the QS1 with 4 independent MPPT inputs, Maximum AC output power reaching 1200W. Quarter the inverters and quarter the installation means real cost savings for residential and commercial customers.

The QS1 and YC600 microinverters benefit from the same AC cables and accessories allowing, while associating them, a great flexibility on the same installation.

# Datasheet | QS1 Microinverter

**Region** Australian and New Zealand  
**Model** QS1-SAA

## Input Data (DC)

Recommended PV Module Power (STC) Range	250Wp-440Wp+
MPPT Voltage Range	22V-48V
Operation Voltage Range	16V-55V
Maximum Input Voltage	60V
Startup Voltage	20V
Maximum Input Current	12A x 4

## Output Data (AC)

Maximum Continuous Output Power	1200VA
Nominal Output Voltage/Range	230V/184-253V
Adjustable Output Voltage Range	160V-278V
Maximum Continuous Output Current	5.22A
Maximum Units Per Branch	3 (12PV modules)
Nominal Output Frequency/Range	50Hz/48-51Hz
Adjustable Output Frequency Range	45.1Hz-54.9Hz
Power Factor (Adjustable)	0.8 leading...0.8 lagging
Total Harmonic Distortion	<3%

## Efficiency

Peak Efficiency	96.5%
Nominal MPPT Efficiency	99.5%
Night Power Consumption	30mW

## Mechanical Data

Operating Ambient Temperature Range	-40 °C to +65 °C
Storage Temperature Range	-40 °C to +85 °C
Dimensions (W x H x D)	281mm x 231mm x 41.3mm
Weight	4.5kg
AC BUS Maximum Current	20A (2.5mm <sup>2</sup> )
Enclosure Environmental Rating	IP67
Pollution Degree Classification	PD3
Cooling	Natural Convection - No Fans
Operate relative humidity range	4%-100%
Maximum altitude	<2000m
Overvoltage Category	OVC II For PV Input Circuit, OVC III For Mains Circuit

## Features

Communication	Wireless
Transformer Design	High Frequency Transformers, Galvanically Isolated
Monitoring	Via EMA* Online Portal
Warranty	10 Years Standard; 15 Years Optional

## Certificate & Compliance

Safety and EMC Compliance	EN 62109-1;EN 62109-2;EN 61000-6-1;EN 61000-6-2; EN 61000-6-3;EN 61000-6-4
Grid Connection Compliance	VDE0126-1-1/A1 VFR 2019,ERDF-NOI-RES_13E, EN50438, RD 1699/2011, RD 413/2014, EN50549, AS/NZS 4777.2:2015

\*Energy Management Analysis

**APsystems Australia**  
Suite 502, 8 Help Street, Chatswood NSW 2067, Australia  
Phone: 02 8034 6587

© All Rights Reserved  
Specifications subject to change without notice please ensure you are  
using the most recent update found at web : [aunz.APsystems.com](http://aunz.APsystems.com)

Email: [info.aunz@APsystems.com](mailto:info.aunz@APsystems.com)  
[aunz.APsystems.com](http://aunz.APsystems.com)

